

CT15 Series

Infrared Radiation Thermometer

- Temperature ranges for -25 to 2000 °C (-13 to 3632 °F) **
- Response times ≥ 5 ms
- Target size ≥ 1 mm (0.04in.)
- ± 0.03 °C temperature resolution capability
- Pilot or Focus Laser aiming options
- Rugged stainless steel housing, IP67

Focus Laser



Pilot Laser

GENERAL SPECIFICATION

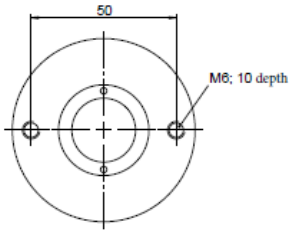
Accuracy:	± 0.5 °C (0.9 °F) + 0.7% of difference between target and thermometer temperature
Long term stability:	Better than 0.01% of the absolute measured value per month
Laser Aiming options:	Pilot Laser or Focus Laser ; Class II, <1mw, 650nm (<i>Focus Laser not available when Germanium lenses are specified</i>)
Emissivity:	0.100 to 1.000 , in 0.001-steps
Response time:	30 ms to 600 s (<i>5ms to 600s = option</i>)
Temperature unit:	°C, °F or K
Analog output:	0 - 20 mA, or 4 - 20 mA, scalable span ≥ 50 °C (100 °F), Actual, max or min value , 16 bit resolution
Serial interface (select one *):	RS232, RS485-option, 9.6 to 115.2 kb (<i>Networking on Profibus, Ethernet etc = option</i>)
Operating voltage:	10.5 to 30 VDC or 12 to 24 VAC (± 10 %) ; ≤ 3.5 W ; ≤ 150 mA @ 24V
Permissible ambient temperature:	-20 to 60 °C (-4 to 140 °F); ≤ 300 °C (570 °F) with WK15 Protective Cooling Housing
Storage temperature:	-20 to 70 °C (-4 to 158 °F)
Protection class:	IP67 (<i>protection for immersion in water – exceeds NEMA4X</i>)
Housing:	304 stainless steel
PC-based Software:	EasyConfig: Software for parameter setting (<i>supplied with each CT15</i>) EasyMeasure: EasyConfig features plus data recording, storage & evaluation (<i>option</i>)
Programmable functions via serial interface:	Emissivity, background temperature, analog output scale & function, response time, temperature unit, valley/peak picker with decay function. <u>Optional laser function input or open collector alarm output or thermal switch opens on high internal temperature</u>

<u>Application / Material</u>	<u>Model / Spectral Range</u>	<u>Temperature Range / °C **</u>
Metals, Combustion Zone temperature for PetroChem industry..	CT15.2 / 2 to 2.7 μ m	500 ... 2000
Glass & Quartz volume – sub surface.....	CT15.4 / 3.9 μ m	200 ... 1000
Glass & Quartz surface.....	CT15.5 / 4.9 to 5.5 μ m	200 ... 1400
Thin Polyester Film, paint curing.....	CT15.7 / 7.93 μ m	0 ... 400
Glass surface – thin glass.....	CT15.8 / 7.5 to 8.2 μ m	0 ... 1000
Atmospheric & Environmental Sciences, long sight path length.	CT15.85/ 9.6 to 11.5 μ m	-25 ... 200
Paper, Thick Plastics, Rubber, Textiles, Asphalt,		
Wood, Agriculture, Sea Surface, Ice & Ground, Food etc.....	CT15.10 / 8 to 14 μ m	-25 ... 900

- * Specify RS232 or RS485 Half-Duplex or RS485 Full-Duplex and if RS485, specify Bus Mode or Point-to-Point Mode operation at time of placing order as these are not field adjustable.
- ** A variety of non-standard temperature ranges are available upon request including as low as -100 °C

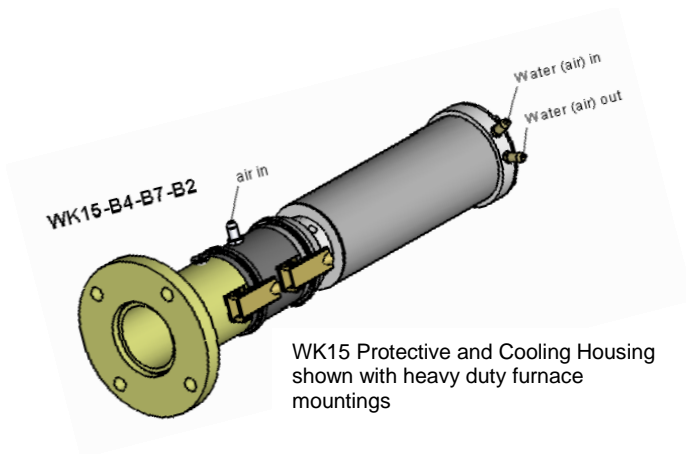
Field of View Diagrams

DIMENSIONS



Specify 12 core wiring cable length and jacket material type at time of placing order.....
2m, 5m etc.
PVC, PTFE, TPE or PUR

ACCESSORIES and OPTIONS for Housings and Mountings (partial listing of what is available)



WK15 Protective and Cooling Housing shown with heavy duty furnace mountings



Lens Air Purge



WK15 Protective and Cooling Housing with Lens Air Purge and Mounting Bracket



WK15 Protective and Cooling Housing with Lens Air Purge, Mounting Bracket and Extension Tube